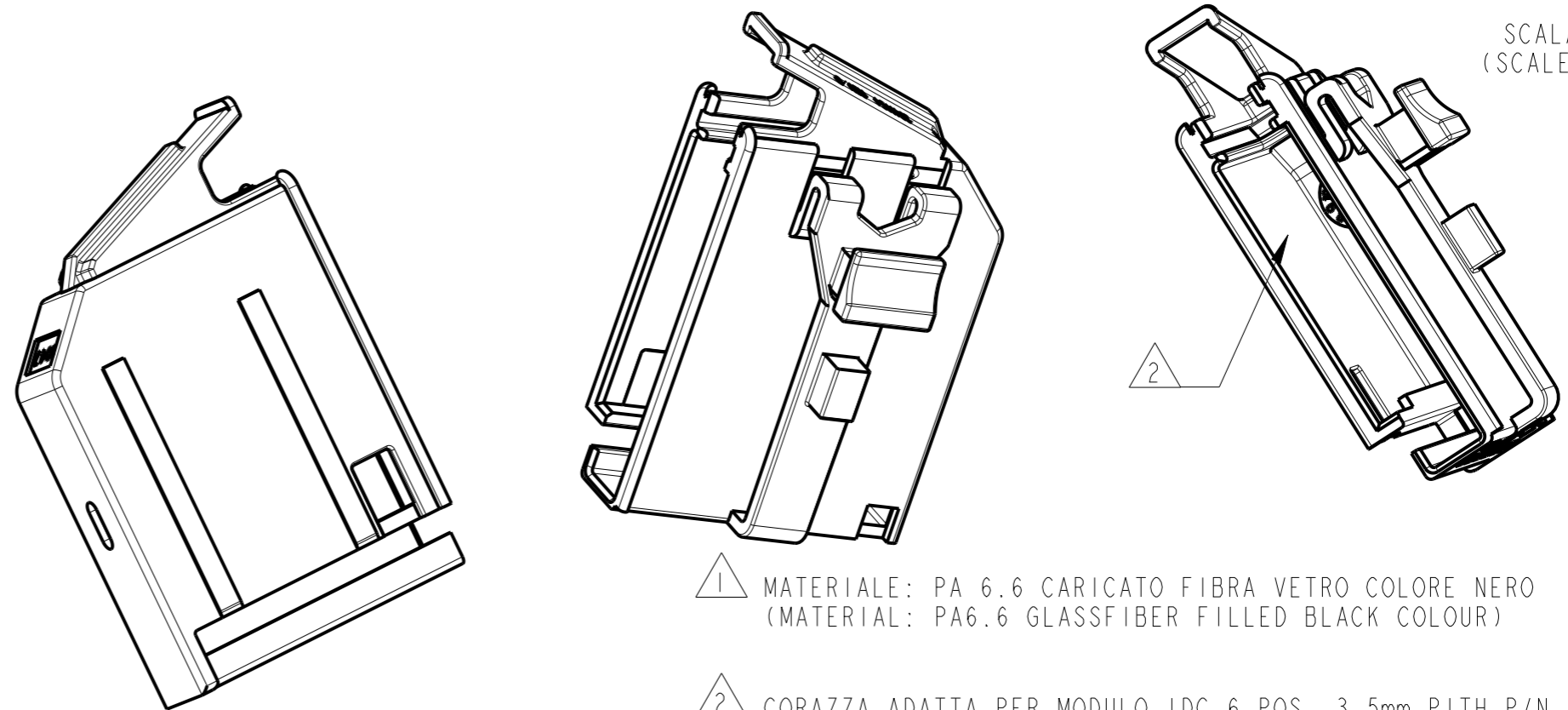
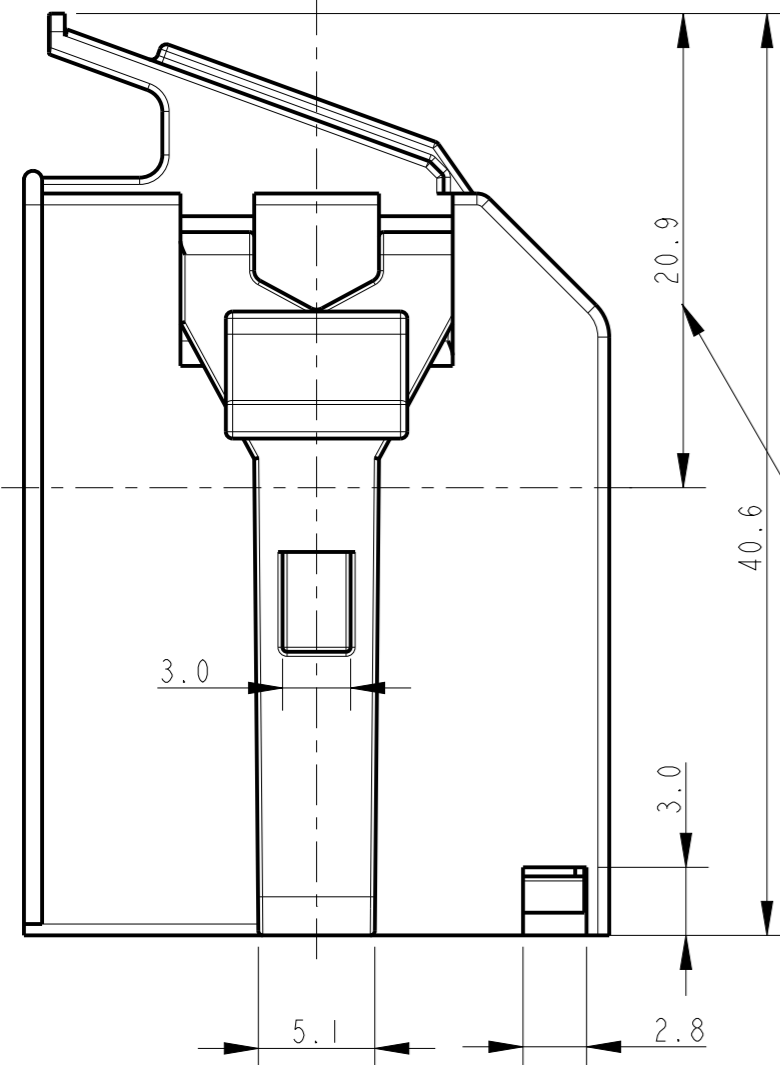
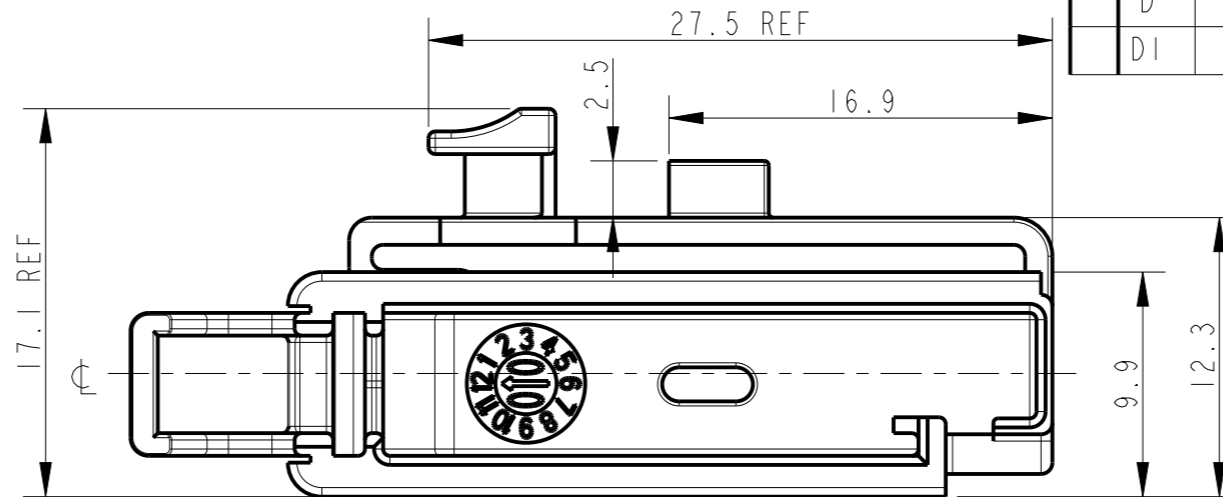
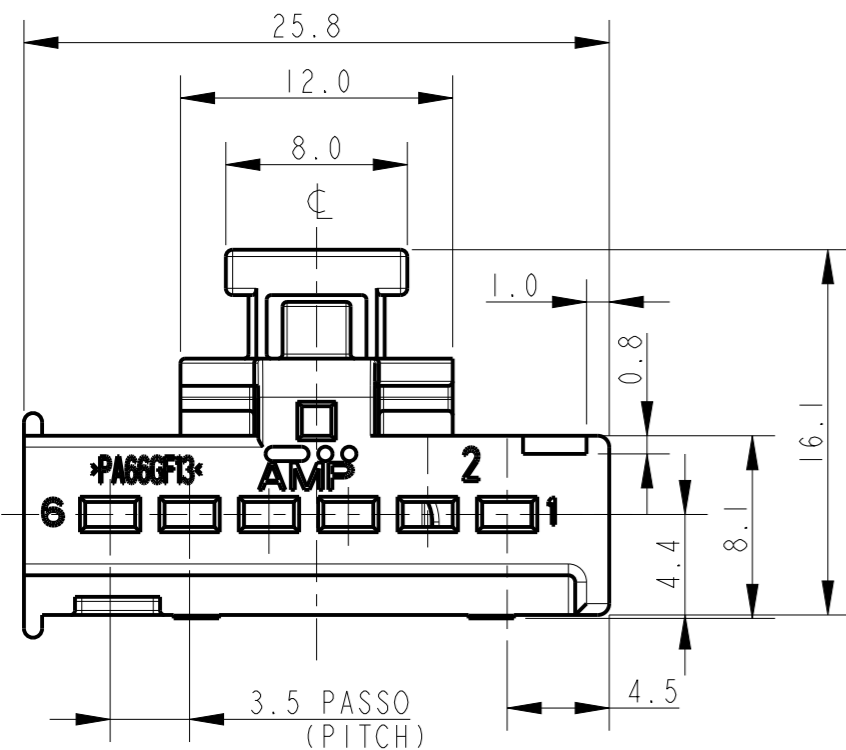


P	LTR	DESCRIPTION	DATE	DWN	APVD
A		REVISED FOR EC ET00-0203-98	31 JUL 1998	G.S	O.C
C1		FOR PRODUCTION (ET00-0190-00)	AUG2000	G.S	O.C
D		REVISED FOR EC ET00-0091-01	25 JUN 2001	P.Z	R.Z
D1		REVISED PER ECR-21-104530	04 JUN 2021	AP	VN



SCALA 2:1
(SCALE 2:1)

PARTE SPORGENTE DAL PROFILO DELLA DIMA
(PORTION STICKING OUT OF HEADER PROFILE)

- 1 MATERIALE: PA 6.6 CARICATO FIBRA VETRO COLORE NERO
(MATERIAL: PA6.6 GLASSFIBER FILLED BLACK COLOUR)
- 2 CORAZZA ADATTA PER MODULO IDC 6 POS. 3.5mm PITH P/N 284128
(SHELL SUITABLE FOR IDC MODULE 3.5mm PITCH P/N 284128)

284142-1 REV. D COME MOSTRATO
(284142-1 REV. D AS SHOWN)

THIS DRAWING IS A CONTROLLED DOCUMENT.		DWN G. STELLA 18SEPI1998	TE Connectivity	
DIMENSIONS: mm		CHK A. GENTA 18SEPI1998		
TOLERANCES UNLESS OTHERWISE SPECIFIED:		APVD -	NAME FRAME 6 POS. SINGLE ROW 3.5mm PITCH INERTIAL LOCK	
0 PLC ±0.3		PRODUCT SPEC 108-20182	SIZE A3	
1 PLC ±0.3		APPLICATION SPEC -	CAGE CODE 00779	DRAWING NO C-284142
2 PLC ±0.3		WEIGHT -	RESTRICTED TO -	
3 PLC ±0.3		MATERIAL 1	SCALE 3:1	
4 PLC ±0.3			SHEET 1 OF 1	
ANGLES ±2°		REV D1		
FINISH		CUSTOMER DRAWING		